



## mobile slow-speed shredders MRW 2.75h

The slow-speed shredders of the Pronar MRW 2.75 series are machines designed for companies that need compact equipment. Various types of easily replaceable shafts are available, allowing the shredder to be adapted to the task at site. Pronar MRW 2.75 is available with a hook or tracked chassis. The 285 HP Volvo Penta engine installed in the machine allows for smooth operation even with tougher materials. Together with the load sensing hydraulics, it is possible to achieve high performance without high fuel consumption.

### KEY FEATURES & BENEFITS

- | easily replaceable shafts in the cassette
- | compact size
- | flexible motor with high power
- | high discharge from the feeder

### APPLICATION

- | wood
- | wood-based materials
- | municipal waste
- | bulky
- | industrial
- | construction waste
- | c&d waste
- | asphalt
- | tires
- | thin-walled scrap



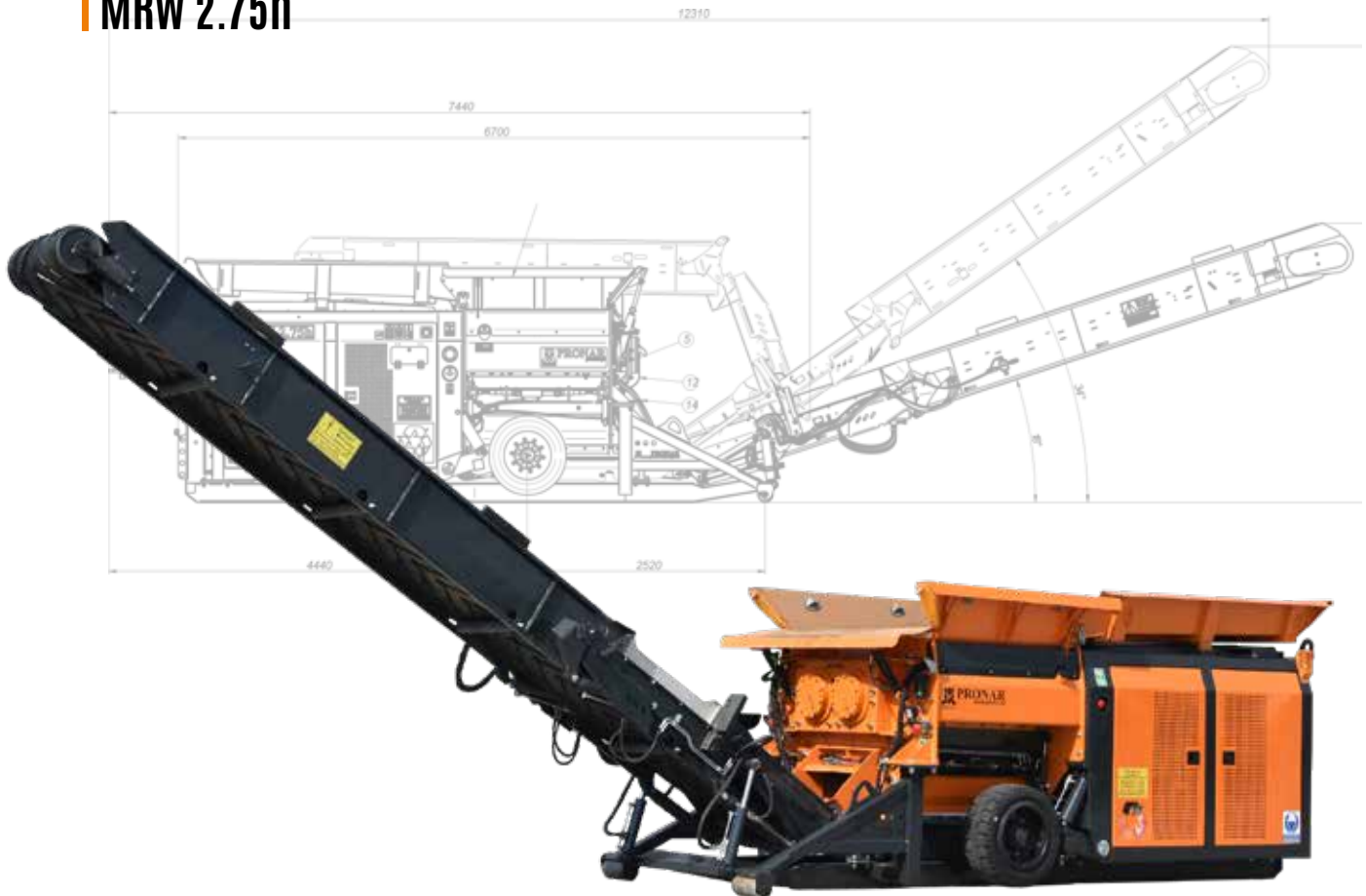
## TECHNICAL DATA

## MRW 2.75h

Dimensions (length/width/height) [mm]	6700/2486/2740
Weight [kg]	~16000*
Number of shafts	2
Shafts length [mm]	1550
Loading height [mm]	2520
Working chamber dimensions (length/width) [mm]	1620/2340
Hopper capacity [m <sup>3</sup> ]	~2,5
Engine	Volvo Penta 7.7i, 210 kW, Stage V/Tier 4 Final/Stage 3A/Tier 3

\* Weight depends on the specification of the individual piece and may be higher

## MRW 2.75h



# WE MAKE RECYCLING EASY.

PRONAR Sp. z o.o.

📍 ul. Mickiewicza 101A | 17-210 Narew | Poland

☎ +48 85 682 71 00

**PRONAR-  
RECYCLING  
.COM**