

Specialists in Engineering Solutions for the Recycling and Material Handling Sectors



The Anaconda **DF** Range of Mobile Tracked Scalping Screens are Heavy Duty Screens that has been developed specifically to suit a variety of applications.

The **DF518** is one of the most robust and reliable Scalping Screens available on the market. Fully equipped with a 18' X 5' Screen Box. The **DF518** also has 3 stockpiling conveyors meaning this versatile scalping screen is capable of dealing with any application in which it may be placed in. Capable of managing tonnages of up to 375TPH the **DF518** really packs a punch.

The **DF518** can be shipped world wide enabling the screen to operate anywhere in the world. Set up is simple and the machine can be running within 20 minutes of delivery. Commissioning is aided with the hydraulic controls to position and guide all the Conveyors and Screen Box.

Anaconda stock a full range of spare parts as a display of our commitment to provide a dedicated and responsive service to all our customers.



Head Quarters:
Anaconda Equipment 'A McLanahan Company',
Ardboe Business Park,
Kilmascally Road,
Dungannon, Co. Tyrone
BT71 5BJ



Contact us :

Tel - +44 (0) 28 86737878
Fax - +44 (0) 28 867 36675
Email - sales@anacondaequipment.com

Specialists in Engineering Solutions for the Recycling and Material Handling Sectors

SPECIFICATIONS AND TECHNICAL DETAILS

Features

- High energy 5.49m X 1.52m (18'X5') Screen box
- 5 piece side tensioned top and second deck
- 3 piece end tensioned bottom deck
- Max Hopper capacity of 8m³
- Screen-box angle adjustment (13°-17°)
- Screen-box walkways for maintenance and mesh change
- Variable Speed 4 ply belt feeder
- Variable speed on all stockpile belts

Engine Options

- Stage 5 – CAT 3.6 (100Kw)
- Stage 5 – JCB DieselMAX (97Kw)

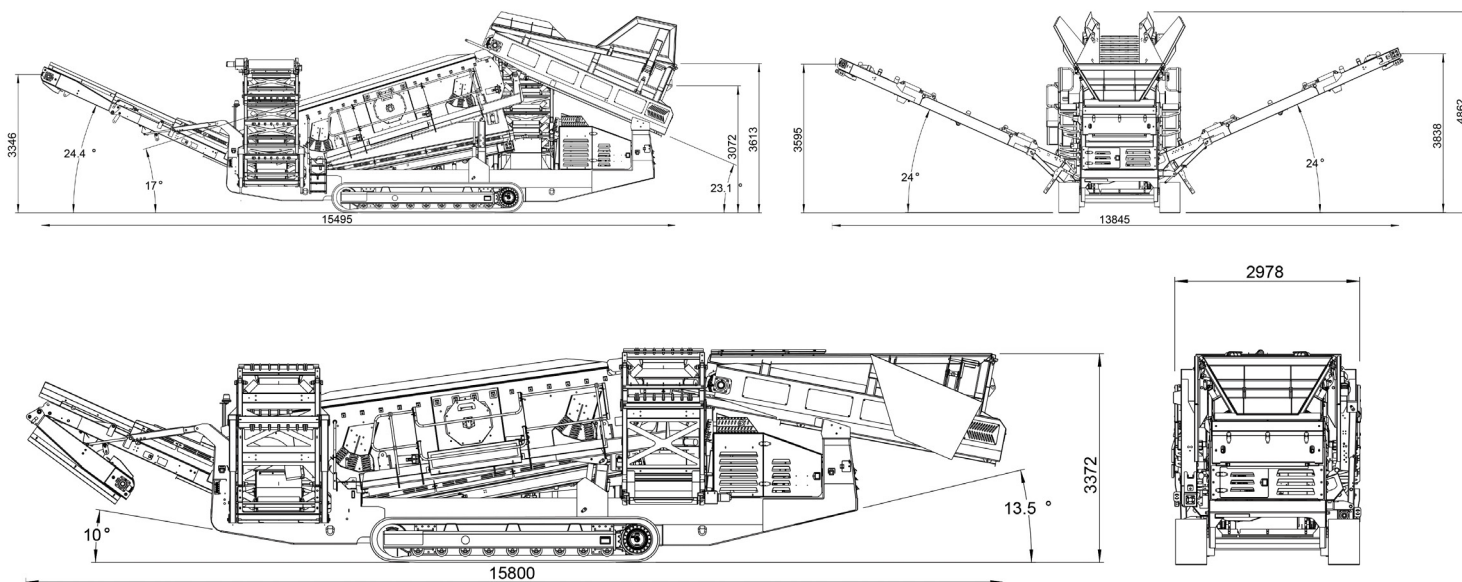
Options

- Screen Decks (Mesh – Punch Plate – Finger Tines – Bofor Bars)
- Radio Remote Control
- Apron Feeder
- Overband Magnet

Weight

- Belt Feeder – 30,500 KG
- Apron Feeder – 32,000 KG

WORKING AND TRANSPORTATION DIMENSIONS



Anaconda sell and distribute our entire product portfolio via a Dealer Network,
For your nearest dealer please contact us or visit our website.
Anaconda reserves the right to make changes to design without reservation and without notification.
Tonnage estimations are dependent on fractions, material type, size and application.

WWW.ANACONDAEQUIPMENT.COM

FOLLOW OUR SOCIAL MEDIA CHANNELS

